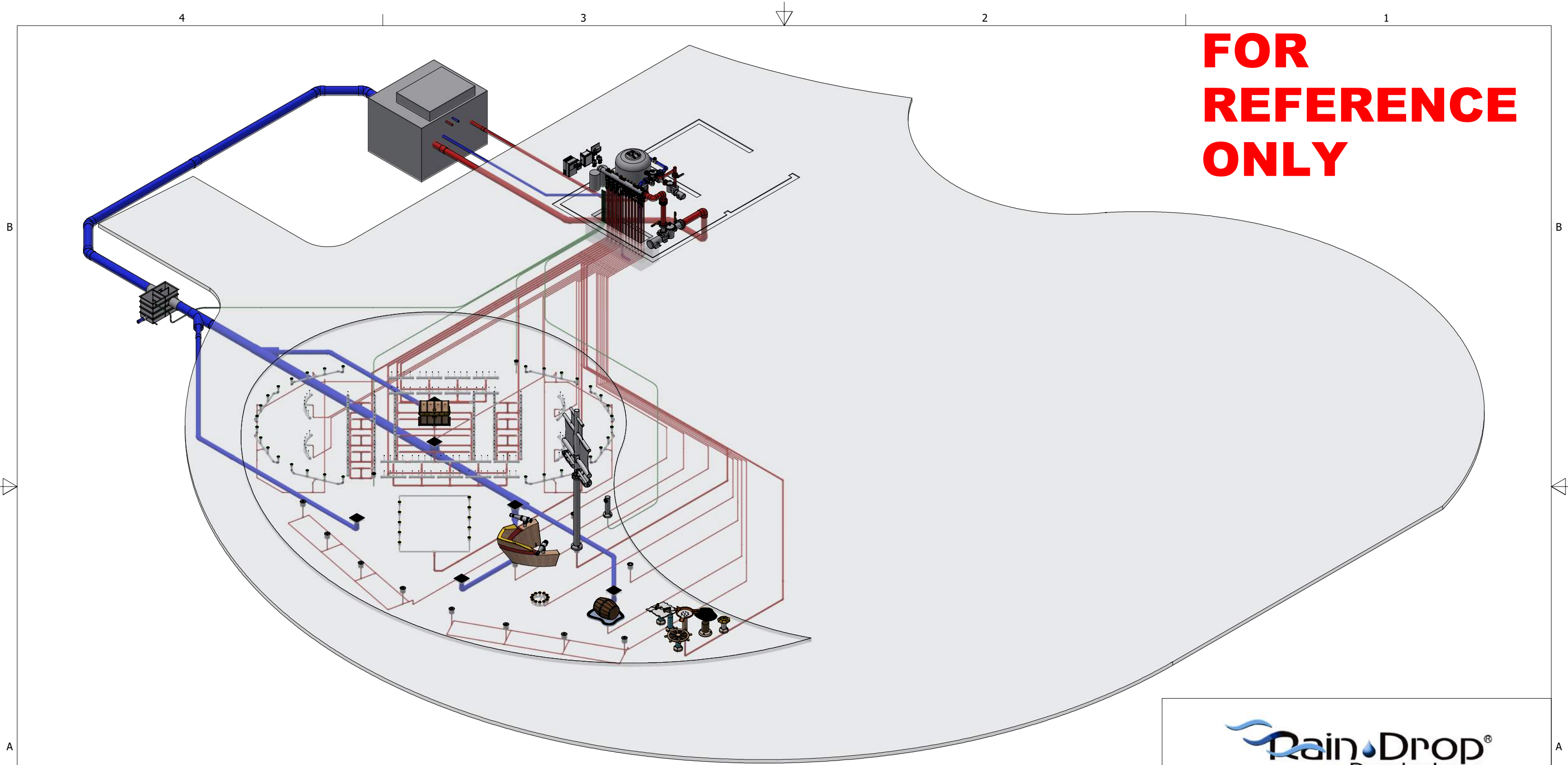


**FOR
REFERENCE
ONLY**



2121 COTTAGE ST. ASHLAND, OHIO 44805
419.207.1229 WWW.RAIN-DROP.COM

RIVERSIDE PARK
MOUNT VERNON, OH 43050 USA

PROPRIETARY AND CONFIDENTIAL
THE INFORMATION CONTAINED IN THIS
DRAWING IS THE SOLE PROPERTY OF
RAIN DROP PRODUCTS, LLC. ANY
REPRODUCTION IN PART OR AS A WHOLE
WITHOUT THE WRITTEN PERMISSION OF
RAIN DROP PRODUCTS, LLC IS PROHIBITED.

SIZE B	PROJECT # 18721	DWG NO 18721-2023-10H-MOUNT VERNON-RIVERSIDE PARK-12	REV 1
DRAWN Rajank		8/3/2023	SHEET 1 OF 13

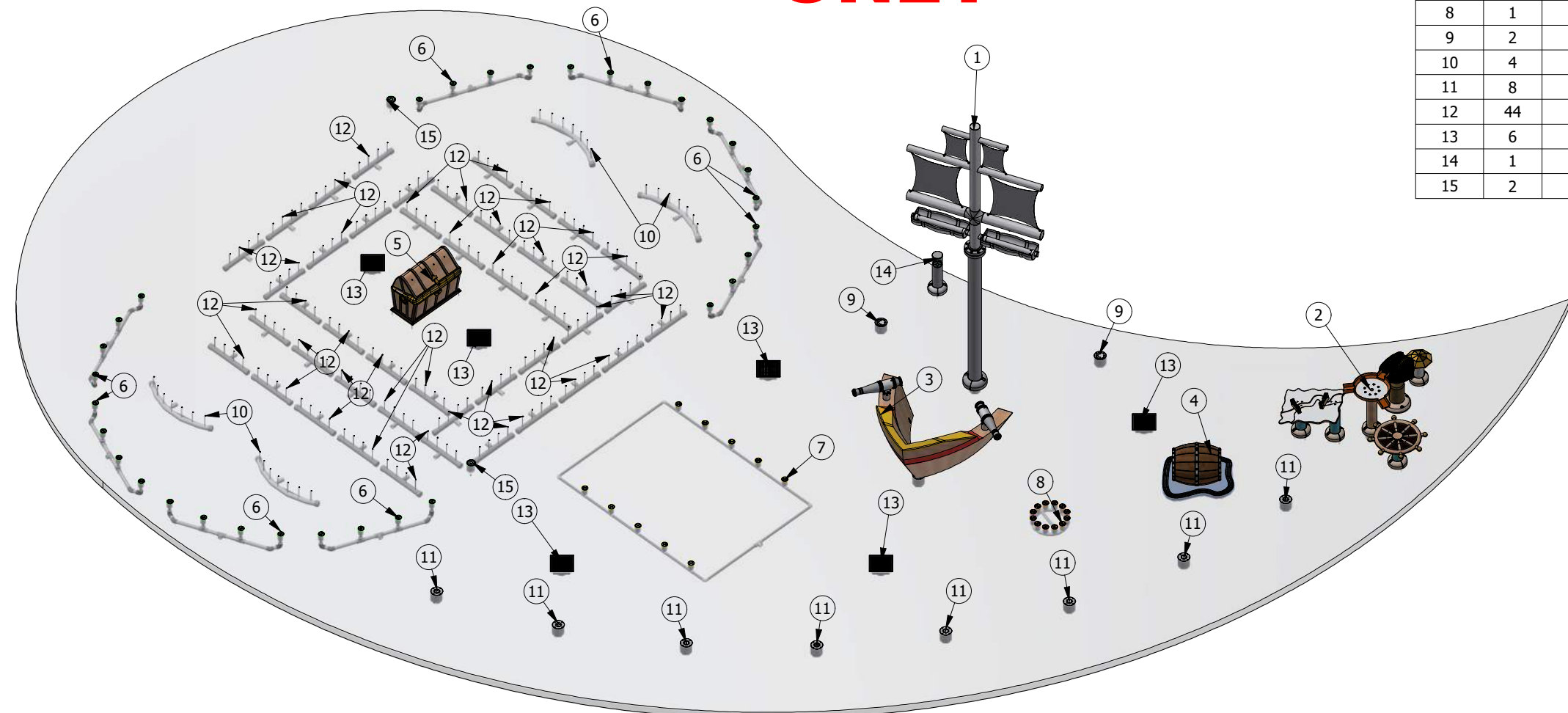
IMPORTANT NOTICE:
THIS LAYOUT IS FOR ILLUSTRATIVE PURPOSES ONLY. FINAL LAYOUT PLAN MUST BE
STAMPED BY CERTIFIED ENGINEER IN ACCORDANCE WITH ALL APPLICABLE LAWS.

©2021 Rain Drop Products, LLC.
All rights reserved

FOR REFERENCE ONLY

PARTS LIST				
ITEM	QTY	PART NUMBER	DESCRIPTION	GPM
1	1	PRSL-001-OM	PIRATE SLOOP, OMNI	37.9
2	1	PPLC-001-OM	PIRATE PLAY CENTER, OMNI	30
3	1	SHPR-003-LF-OM	SHIP BOW W/ CANNONS, LOW FLOW, OMNI	5
4	1	OAKB-001-OM	CRACKED BARREL SPRAY, OMNI	20.4
5	1	TRCH-001-OM	TREASURE CHEST, OMNI	15
6	1	GICR32-001-LF	GIANT CIRCLE TIME LOW FLOW 32 OUTLETS	30.5
7	1	SHWT-004	SHOWER TUNNEL	37.9
8	1	MSPR-004	MINI SPRAY RING	20.2
9	2	WTJT-001-OM	WATER TIARA, OMNI	11.4
10	4	PPJT-002-LF	POP JET, CURVED, 48" RADIUS, LOW FLOW	15
11	8	MPKJ-002-LF-OM	MINI POPKORN JET, LOW FLOW, OMNI	2
12	44	PPJT-003-LF	POP JET, 4 OUTLET, LOW FLOW	8.6
13	6	DRN12-006B	12" DRAIN	259
14	1	BOL-005	6" BOLLARD ACTIVATOR, TOUCH SENSOR	N/A
15	2	ACT-A001	ACTIVATOR, STEP	N/A

MAXIMUM INTENDED FLOW - 674.1 GPM



PLEASE NOTE:
 ALL STAINLESS STEEL FEATURES TO BE GROUNDED AND BONDED PER LOCAL CODE AND REGULATIONS.

NOTES -

- 1 - THIS DESIGN IS PREPARED FOR REVIEW PURPOSES AND IS NOT INTENDED FOR USE AS A CONSTRUCTION DOCUMENT.
- 2 - WATERPLAY CONCRETE PAD DIMENSIONS AND ORIENTATION ARE TO BE USED AS A REFERENCE. THEY MAY BE ALTERED TO ACCOMMODATE EXISTING FIELD CONDITIONS.
- 3 - CONSTRUCTION SHALL CONFORM TO THE MOST RECENT STATE DEPARTMENT OF HEALTH STANDARDS AND SPECIFICATIONS.
- 4 - LOCAL SUPPLEMENTAL CODES AND SPECIFICATIONS TAKE PRECEDENCE OVER THOSE PROVIDED IN THIS DOCUMENT.
- 5 - CONTRACTOR IS RESPONSIBLE TO PROVIDE ALL CONSTRUCTION MATERIAL AND LABOR REQUIRED TO PROPERLY INSTALL WATER FEATURES AND EQUIPMENT.
- 6 - AN APPROVED SET OF CONSTRUCTION PLANS SHALL BE MADE AVAILABLE ON THE JOBSITE AT ALL TIMES.



2121 COTTAGE ST. ASHLAND, OHIO 44805
 419.207.1229 WWW.RAIN-DROP.COM

RIVERSIDE PARK
 MOUNT VERNON, OH 43050 USA

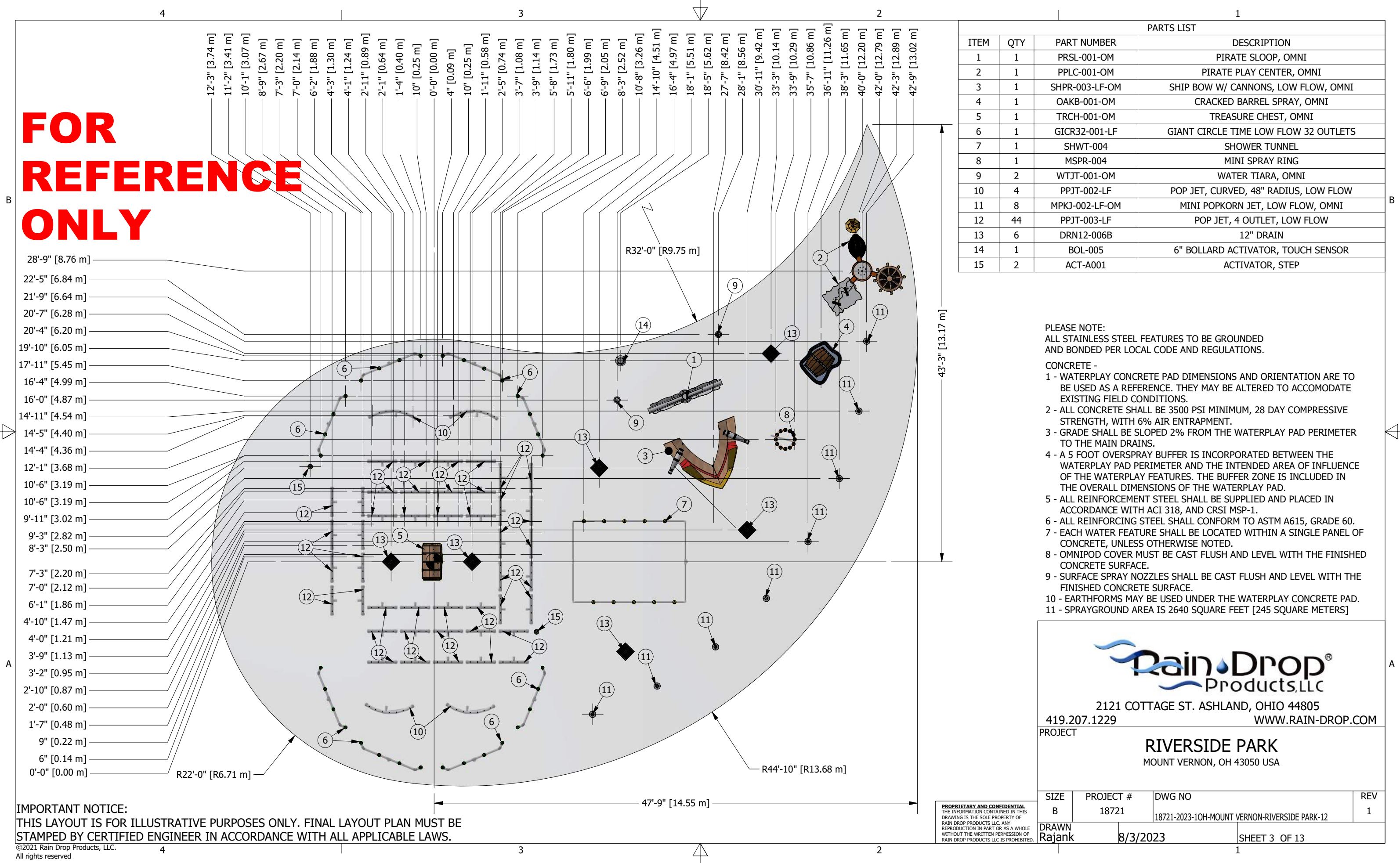
SIZE	PROJECT #	DWG NO	REV
B	18721	18721-2023-10H-MOUNT VERNON-RIVERSIDE PARK-12	1
DRAWN Rajank		8/3/2023	SHEET 2 OF 13

IMPORTANT NOTICE:
 THIS LAYOUT IS FOR ILLUSTRATIVE PURPOSES ONLY. FINAL LAYOUT PLAN MUST BE STAMPED BY CERTIFIED ENGINEER IN ACCORDANCE WITH ALL APPLICABLE LAWS.

©2021 Rain Drop Products, LLC.
 All rights reserved

PROPRIETARY AND CONFIDENTIAL
 THE INFORMATION CONTAINED IN THIS DRAWING IS THE SOLE PROPERTY OF RAIN DROP PRODUCTS, LLC. ANY REPRODUCTION IN PART OR AS A WHOLE WITHOUT THE WRITTEN PERMISSION OF RAIN DROP PRODUCTS, LLC IS PROHIBITED.

FOR REFERENCE ONLY



PLEASE NOTE:
 ALL STAINLESS STEEL FEATURES TO BE GROUNDED AND BONDED PER LOCAL CODE AND REGULATIONS.

CONCRETE -

- 1 - WATERPLAY CONCRETE PAD DIMENSIONS AND ORIENTATION ARE TO BE USED AS A REFERENCE. THEY MAY BE ALTERED TO ACCOMODATE EXISTING FIELD CONDITIONS.
- 2 - ALL CONCRETE SHALL BE 3500 PSI MINIMUM, 28 DAY COMPRESSIVE STRENGTH, WITH 6% AIR ENTRAPMENT.
- 3 - GRADE SHALL BE SLOPED 2% FROM THE WATERPLAY PAD PERIMETER TO THE MAIN DRAINS.
- 4 - A 5 FOOT OVERSPRAY BUFFER IS INCORPORATED BETWEEN THE WATERPLAY PAD PERIMETER AND THE INTENDED AREA OF INFLUENCE OF THE WATERPLAY FEATURES. THE BUFFER ZONE IS INCLUDED IN THE OVERALL DIMENSIONS OF THE WATERPLAY PAD.
- 5 - ALL REINFORCEMENT STEEL SHALL BE SUPPLIED AND PLACED IN ACCORDANCE WITH ACI 318, AND CRSI MSP-1.
- 6 - ALL REINFORCING STEEL SHALL CONFORM TO ASTM A615, GRADE 60.
- 7 - EACH WATER FEATURE SHALL BE LOCATED WITHIN A SINGLE PANEL OF CONCRETE, UNLESS OTHERWISE NOTED.
- 8 - OMNIPOD COVER MUST BE CAST FLUSH AND LEVEL WITH THE FINISHED CONCRETE SURFACE.
- 9 - SURFACE SPRAY NOZZLES SHALL BE CAST FLUSH AND LEVEL WITH THE FINISHED CONCRETE SURFACE.
- 10 - EARTHFORMS MAY BE USED UNDER THE WATERPLAY CONCRETE PAD.
- 11 - SPRAYGROUND AREA IS 2640 SQUARE FEET [245 SQUARE METERS]



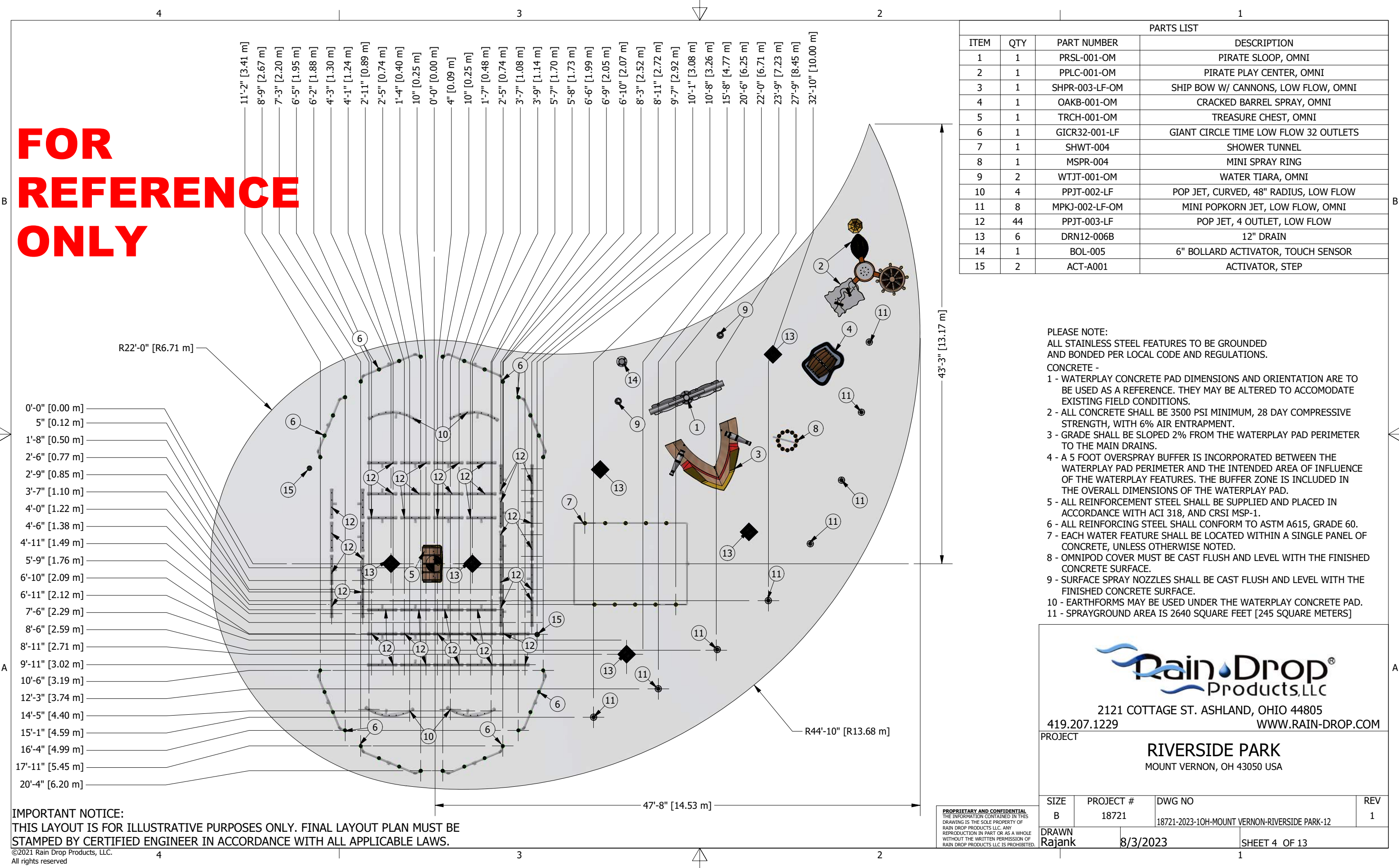
2121 COTTAGE ST. ASHLAND, OHIO 44805
 419.207.1229 WWW.RAIN-DROP.COM

RIVERSIDE PARK
 MOUNT VERNON, OH 43050 USA

SIZE B	PROJECT # 18721	DWG NO 18721-2023-10H-MOUNT VERNON-RIVERSIDE PARK-12	REV 1
DRAWN Rajank		8/3/2023	SHEET 3 OF 13

IMPORTANT NOTICE:
 THIS LAYOUT IS FOR ILLUSTRATIVE PURPOSES ONLY. FINAL LAYOUT PLAN MUST BE STAMPED BY CERTIFIED ENGINEER IN ACCORDANCE WITH ALL APPLICABLE LAWS.

FOR REFERENCE ONLY



PARTS LIST			
ITEM	QTY	PART NUMBER	DESCRIPTION
1	1	PRSL-001-OM	PIRATE SLOOP, OMNI
2	1	PPLC-001-OM	PIRATE PLAY CENTER, OMNI
3	1	SHPR-003-LF-OM	SHIP BOW W/ CANNONS, LOW FLOW, OMNI
4	1	OAKB-001-OM	CRACKED BARREL SPRAY, OMNI
5	1	TRCH-001-OM	TREASURE CHEST, OMNI
6	1	GICR32-001-LF	GIANT CIRCLE TIME LOW FLOW 32 OUTLETS
7	1	SHWT-004	SHOWER TUNNEL
8	1	MSPR-004	MINI SPRAY RING
9	2	WTJT-001-OM	WATER TIARA, OMNI
10	4	PPJT-002-LF	POP JET, CURVED, 48" RADIUS, LOW FLOW
11	8	MPKJ-002-LF-OM	MINI POPKORN JET, LOW FLOW, OMNI
12	44	PPJT-003-LF	POP JET, 4 OUTLET, LOW FLOW
13	6	DRN12-006B	12" DRAIN
14	1	BOL-005	6" BOLLARD ACTIVATOR, TOUCH SENSOR
15	2	ACT-A001	ACTIVATOR, STEP

PLEASE NOTE:
 ALL STAINLESS STEEL FEATURES TO BE GROUNDED AND BONDED PER LOCAL CODE AND REGULATIONS.

CONCRETE -

- 1 - WATERPLAY CONCRETE PAD DIMENSIONS AND ORIENTATION ARE TO BE USED AS A REFERENCE. THEY MAY BE ALTERED TO ACCOMODATE EXISTING FIELD CONDITIONS.
- 2 - ALL CONCRETE SHALL BE 3500 PSI MINIMUM, 28 DAY COMPRESSIVE STRENGTH, WITH 6% AIR ENTRAPMENT.
- 3 - GRADE SHALL BE SLOPED 2% FROM THE WATERPLAY PAD PERIMETER TO THE MAIN DRAINS.
- 4 - A 5 FOOT OVERSPRAY BUFFER IS INCORPORATED BETWEEN THE WATERPLAY PAD PERIMETER AND THE INTENDED AREA OF INFLUENCE OF THE WATERPLAY FEATURES. THE BUFFER ZONE IS INCLUDED IN THE OVERALL DIMENSIONS OF THE WATERPLAY PAD.
- 5 - ALL REINFORCEMENT STEEL SHALL BE SUPPLIED AND PLACED IN ACCORDANCE WITH ACI 318, AND CRSI MSP-1.
- 6 - ALL REINFORCING STEEL SHALL CONFORM TO ASTM A615, GRADE 60.
- 7 - EACH WATER FEATURE SHALL BE LOCATED WITHIN A SINGLE PANEL OF CONCRETE, UNLESS OTHERWISE NOTED.
- 8 - OMNIPOD COVER MUST BE CAST FLUSH AND LEVEL WITH THE FINISHED CONCRETE SURFACE.
- 9 - SURFACE SPRAY NOZZLES SHALL BE CAST FLUSH AND LEVEL WITH THE FINISHED CONCRETE SURFACE.
- 10 - EARTHFORMS MAY BE USED UNDER THE WATERPLAY CONCRETE PAD.
- 11 - SPRAYGROUND AREA IS 2640 SQUARE FEET [245 SQUARE METERS]


 2121 COTTAGE ST. ASHLAND, OHIO 44805
 419.207.1229 WWW.RAIN-DROP.COM
 PROJECT

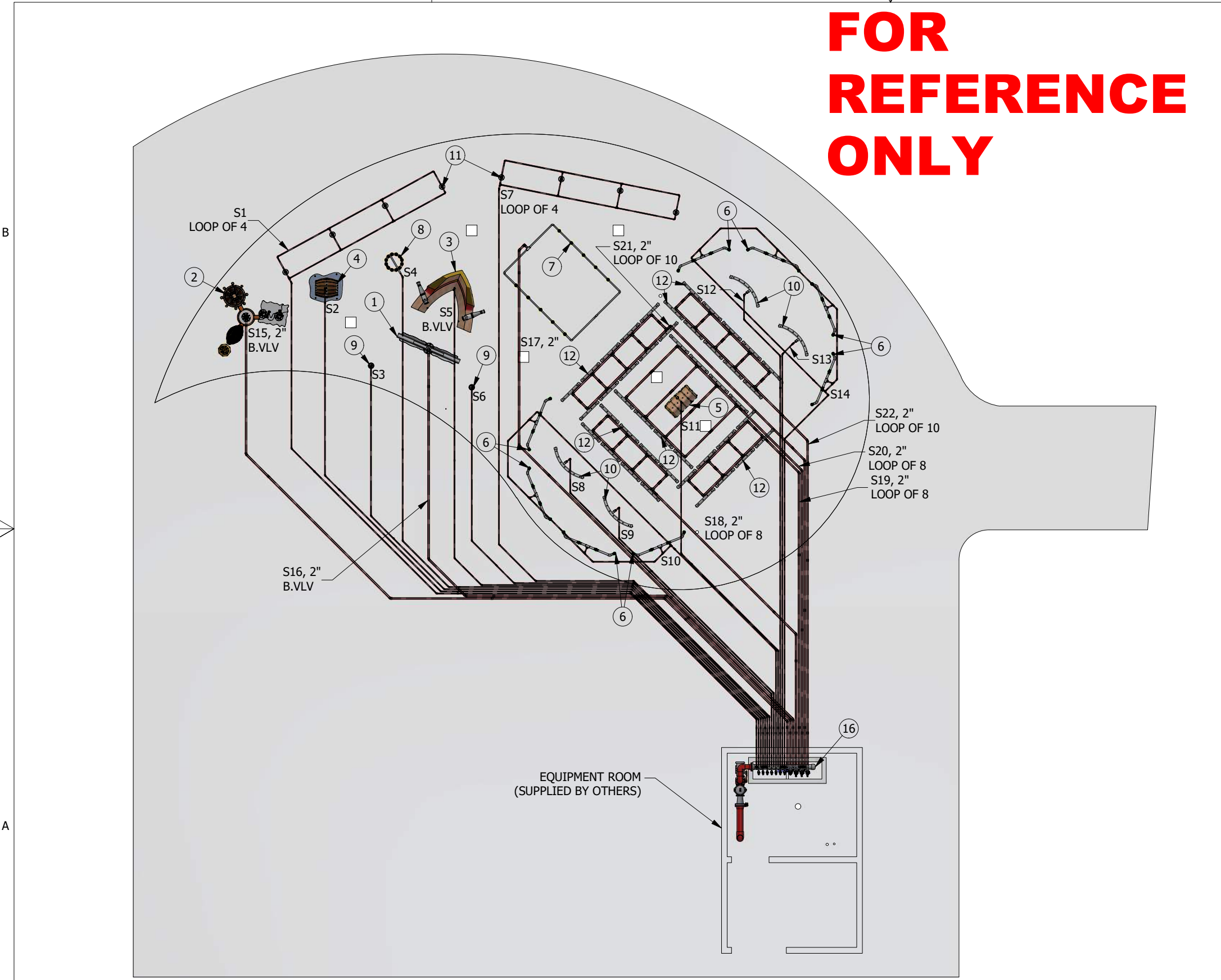
RIVERSIDE PARK
 MOUNT VERNON, OH 43050 USA

SIZE	PROJECT #	DWG NO	REV
B	18721	18721-2023-10H-MOUNT VERNON-RIVERSIDE PARK-12	1
DRAWN	DATE	SHEET 4 OF 13	
Rajank	8/3/2023		

IMPORTANT NOTICE:
 THIS LAYOUT IS FOR ILLUSTRATIVE PURPOSES ONLY. FINAL LAYOUT PLAN MUST BE STAMPED BY CERTIFIED ENGINEER IN ACCORDANCE WITH ALL APPLICABLE LAWS.

FOR REFERENCE ONLY

PARTS LIST			
ITEM	QTY	PART NUMBER	DESCRIPTION
1	1	PRSL-001-OM	PIRATE SLOOP, OMNI
2	1	PPLC-001-OM	PIRATE PLAY CENTER, OMNI
3	1	SHPR-003-LF-OM	SHIP BOW W/ CANNONS, LOW FLOW, OMNI
4	1	OAKB-001-OM	CRACKED BARREL SPRAY, OMNI
5	1	TRCH-001-OM	TREASURE CHEST, OMNI
6	1	GICR32-001-LF	GIANT CIRCLE TIME LOW FLOW 32 OUTLETS
7	1	SHWT-004	SHOWER TUNNEL
8	1	MSPR-004	MINI SPRAY RING
9	2	WTJT-001-OM	WATER TIARA, OMNI
10	4	PPJT-002-LF	POP JET, CURVED, 48" RADIUS, LOW FLOW
11	8	MPKJ-002-LF-OM	MINI POPKORN JET, LOW FLOW, OMNI
12	44	PPJT-003-LF	POP JET, 4 OUTLET, LOW FLOW
16	1	MFD6-114283040	MANIFOLD, 6" W/14-1" & 8-2" OUTLETS



- PLEASE NOTE:**
ALL PIPES AND FITTINGS TO BE SUPPLIED BY CONTRACTOR UNLESS OTHERWISE NOTED.
- PVC PIPING -**
- 1 - SCHEDULE 80 PVC PIPE AND SOCKET TYPE FITTINGS SHALL CONFORM TO ASTM D2467, ASTM D1785-12, AND ALL APPLICABLE LOCAL CODES.
 - 2 - ALL PVC PIPING SHALL BE STAMPED WITH N.S.F. SEAL OF APPROVAL FOR POTABLE WATER.
 - 3 - ALL PIPING SHALL BE LABELED WITH DIRECTIONAL FLOW ARROWS.
 - 4 - ALL PIPING TO BE PRESSURE TESTED BEFORE POURING CONCRETE.
 - 5 - PIPING DESIGNED TO CARRY THE REQUIRED QUANTITIES OF WATER AT VELOCITIES NOT TO EXCEED 10 FPS OR PER LOCAL CODES AND REGULATIONS.
 - 6 - SUPPLY LINES TO BE CHEMICALLY WELDED TO OMNIPOD FEATURE RECIEVER.
 - 7 - ALL PIPING TO BE 1" SCHEDULE 80 PVC UNLESS OTHERWISE SPECIFIED.
 - 8 - DRAWINGS ARE INTENDED FOR SCHEMATIC USE ONLY. FINAL PIPE LOCATIONS SHALL BE FIELD VERIFIED AND COORDINATED WITH CONTRACTOR.



2121 COTTAGE ST. ASHLAND, OHIO 44805
419.207.1229 WWW.RAIN-DROP.COM

RIVERSIDE PARK
MOUNT VERNON, OH 43050 USA

IMPORTANT NOTICE:
THIS LAYOUT IS FOR ILLUSTRATIVE PURPOSES ONLY. FINAL LAYOUT PLAN MUST BE STAMPED BY CERTIFIED ENGINEER IN ACCORDANCE WITH ALL APPLICABLE LAWS.

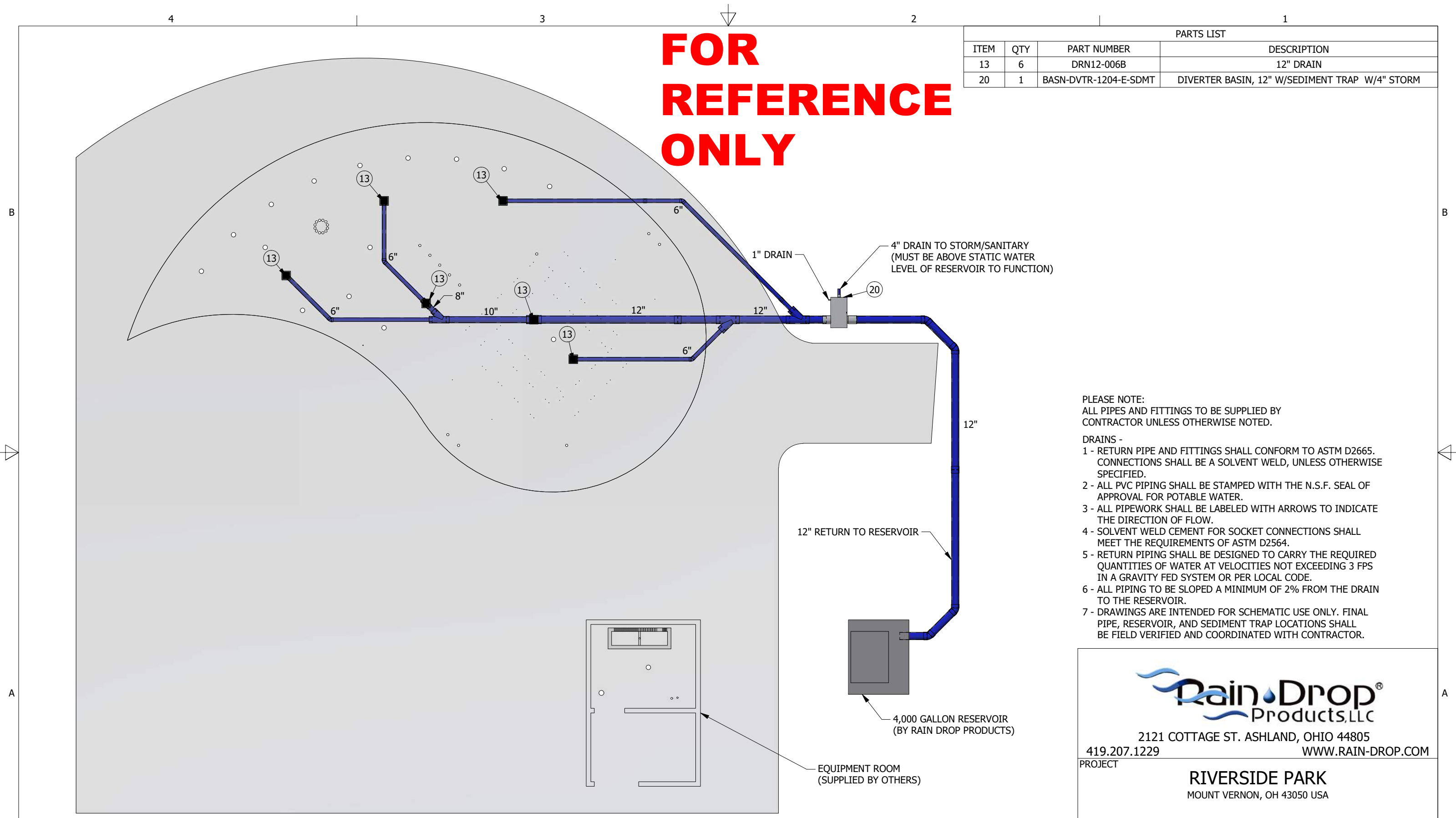
©2021 Rain Drop Products, LLC.
All rights reserved

PROPRIETARY AND CONFIDENTIAL
THE INFORMATION CONTAINED IN THIS DRAWING IS THE SOLE PROPERTY OF RAIN DROP PRODUCTS, LLC. ANY REPRODUCTION IN PART OR AS A WHOLE WITHOUT THE WRITTEN PERMISSION OF RAIN DROP PRODUCTS, LLC IS PROHIBITED.

SIZE B	PROJECT # 18721	DWG NO 18721-2023-10H-MOUNT VERNON-RIVERSIDE PARK-12	REV 1
DRAWN Rajank		8/3/2023	SHEET 5 OF 13

FOR REFERENCE ONLY

PARTS LIST			
ITEM	QTY	PART NUMBER	DESCRIPTION
13	6	DRN12-006B	12" DRAIN
20	1	BASN-DVTR-1204-E-SDMT	DIVERTER BASIN, 12" W/SEDIMENT TRAP W/4" STORM



- PLEASE NOTE:
ALL PIPES AND FITTINGS TO BE SUPPLIED BY CONTRACTOR UNLESS OTHERWISE NOTED.
- DRAINS -**
- 1 - RETURN PIPE AND FITTINGS SHALL CONFORM TO ASTM D2665. CONNECTIONS SHALL BE A SOLVENT WELD, UNLESS OTHERWISE SPECIFIED.
 - 2 - ALL PVC PIPING SHALL BE STAMPED WITH THE N.S.F. SEAL OF APPROVAL FOR POTABLE WATER.
 - 3 - ALL PIPEWORK SHALL BE LABELED WITH ARROWS TO INDICATE THE DIRECTION OF FLOW.
 - 4 - SOLVENT WELD CEMENT FOR SOCKET CONNECTIONS SHALL MEET THE REQUIREMENTS OF ASTM D2564.
 - 5 - RETURN PIPING SHALL BE DESIGNED TO CARRY THE REQUIRED QUANTITIES OF WATER AT VELOCITIES NOT EXCEEDING 3 FPS IN A GRAVITY FED SYSTEM OR PER LOCAL CODE.
 - 6 - ALL PIPING TO BE SLOPED A MINIMUM OF 2% FROM THE DRAIN TO THE RESERVOIR.
 - 7 - DRAWINGS ARE INTENDED FOR SCHEMATIC USE ONLY. FINAL PIPE, RESERVOIR, AND SEDIMENT TRAP LOCATIONS SHALL BE FIELD VERIFIED AND COORDINATED WITH CONTRACTOR.



2121 COTTAGE ST. ASHLAND, OHIO 44805
419.207.1229 WWW.RAIN-DROP.COM

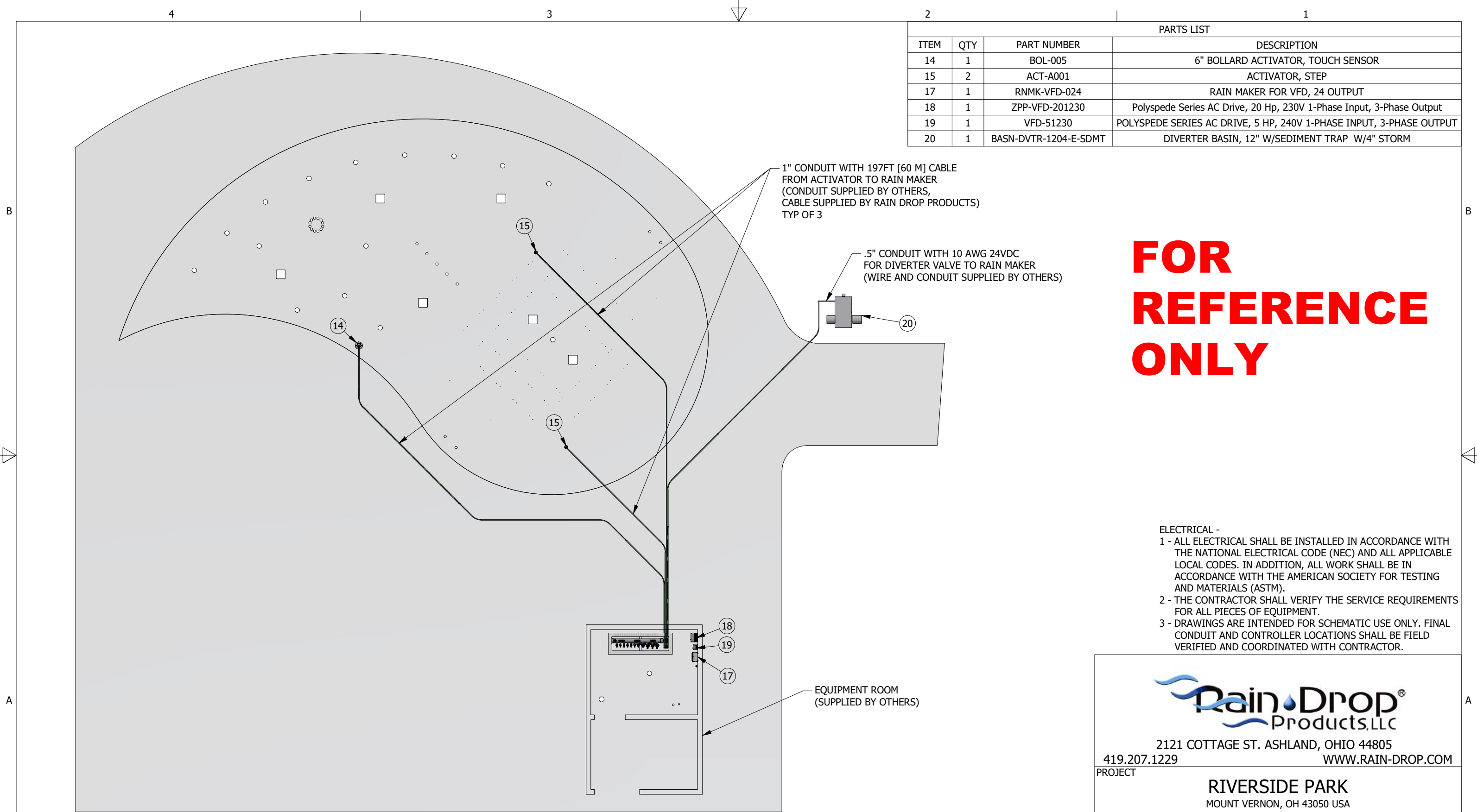
RIVERSIDE PARK
MOUNT VERNON, OH 43050 USA

IMPORTANT NOTICE:
THIS LAYOUT IS FOR ILLUSTRATIVE PURPOSES ONLY. FINAL LAYOUT PLAN MUST BE STAMPED BY CERTIFIED ENGINEER IN ACCORDANCE WITH ALL APPLICABLE LAWS.

PROPRIETARY AND CONFIDENTIAL
THE INFORMATION CONTAINED IN THIS DRAWING IS THE SOLE PROPERTY OF RAIN DROP PRODUCTS, LLC. ANY REPRODUCTION IN PART OR AS A WHOLE WITHOUT THE WRITTEN PERMISSION OF RAIN DROP PRODUCTS, LLC IS PROHIBITED.

SIZE B	PROJECT # 18721	DWG NO 18721-2023-10H-MOUNT VERNON-RIVERSIDE PARK-12	REV 1
DRAWN Rajank		8/3/2023	SHEET 6 OF 13

PARTS LIST			
ITEM	QTY	PART NUMBER	DESCRIPTION
14	1	BOL-005	6" BOLLARD ACTIVATOR, TOUCH SENSOR
15	2	ACT-A001	ACTIVATOR, STEP
17	1	RNMK-VFD-024	RAIN MAKER FOR VFD, 24 OUTPUT
18	1	ZPP-VFD-201230	Polyspede Series AC Drive, 20 Hp, 230V 1-Phase Input, 3-Phase Output
19	1	VFD-51230	POLYSPEDA SERIES AC DRIVE, 5 HP, 240V 1-PHASE INPUT, 3-PHASE OUTPUT
20	1	BASN-DVTR-1204-E-SDMT	DIVERTER BASIN, 12" W/SEDIMENT TRAP W/4" STORM



**FOR
REFERENCE
ONLY**

- ELECTRICAL -
- 1 - ALL ELECTRICAL SHALL BE INSTALLED IN ACCORDANCE WITH THE NATIONAL ELECTRICAL CODE (NEC) AND ALL APPLICABLE LOCAL CODES. IN ADDITION, ALL WORK SHALL BE IN ACCORDANCE WITH THE AMERICAN SOCIETY FOR TESTING AND MATERIALS (ASTM).
 - 2 - THE CONTRACTOR SHALL VERIFY THE SERVICE REQUIREMENTS FOR ALL PIECES OF EQUIPMENT.
 - 3 - DRAWINGS ARE INTENDED FOR SCHEMATIC USE ONLY. FINAL CONDUIT AND CONTROLLER LOCATIONS SHALL BE FIELD VERIFIED AND COORDINATED WITH CONTRACTOR.


 2121 COTTAGE ST. ASHLAND, OHIO 44805
 419.207.1229 WWW.RAIN-DROP.COM
PROJECT
RIVERSIDE PARK
 MOUNT VERNON, OH 43050 USA

PROPRIETARY AND CONFIDENTIAL
THE INFORMATION CONTAINED IN THIS
DRAWING IS THE SOLE PROPERTY OF
RAIN DROP PRODUCTS, LLC. ANY
REPRODUCTION IN PART OR AS A WHOLE
WITHOUT THE WRITTEN PERMISSION OF
RAIN DROP PRODUCTS, LLC IS PROHIBITED.

SIZE	PROJECT #	DWG NO	REV
B	18721	18721-2023-10H-MOUNT VERNON-RIVERSIDE PARK-12	1
DRAWN Rajank		8/3/2023	SHEET 7 OF 13

IMPORTANT NOTICE:
 THIS LAYOUT IS FOR ILLUSTRATIVE PURPOSES ONLY. FINAL LAYOUT PLAN MUST BE
 STAMPED BY CERTIFIED ENGINEER IN ACCORDANCE WITH ALL APPLICABLE LAWS.
 ©2021 Rain Drop Products, LLC.
 All rights reserved

4

3

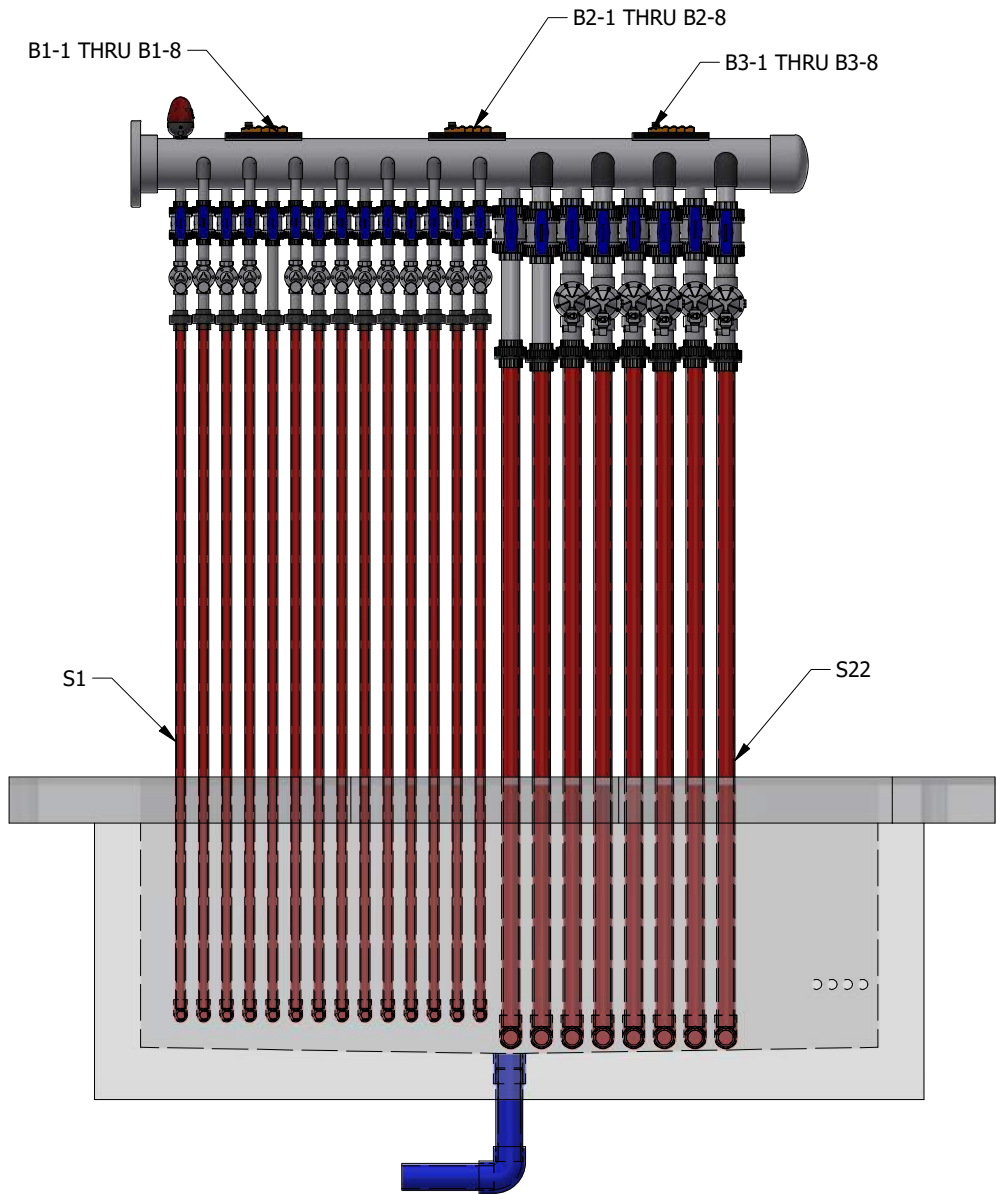
2

1

TABLE					TABLE				
SUPPLY NO.	OUTPUT ADDRESS	DESCRIPTION	QTY IN LOOP	SUPPLY GPM	SUPPLY NO.	OUTPUT ADDRESS	DESCRIPTION	QTY IN LOOP	SUPPLY GPM
S1	B1-1	MINI POPKORN JET, LOW FLOW, OMNI	4	8	S13	B2-5	POP JET, CURVED, 48" RADIUS, LOW FLOW	N/A	15
S2	B1-2	CRACKED BARREL SPRAY, OMNI	N/A	20.4	S14	B2-6	GIANT CIRCLE TIME LOW FLOW 32 OUTLETS	4	15.3
S3	B1-3	WATER TIARA, OMNI	N/A	11.4	S15	B2-7 (B.VLV)	PIRATE PLAY CENTER, OMNI	N/A	30
S4	B1-4	MINI SPRAY RING	N/A	20.2	S16	B2-8 (B.VLV)	PIRATE SLOOP, OMNI	N/A	37.9
S5	B1-5 (B.VLV)	SHIP BOW W/ CANNONS, LOW FLOW, OMNI	N/A	5	S17	B3-1	SHOWER TUNNEL	N/A	37.9
S6	B1-6	WATER TIARA, OMNI	N/A	11.4	S18	B3-2	POP JET, 4 OUTLET, LOW FLOW	8	68.8
S7	B1-7	MINI POPKORN JET, LOW FLOW, OMNI	4	8	S19	B3-3	POP JET, 4 OUTLET, LOW FLOW	8	68.8
S8	B1-8	POP JET, CURVED, 48" RADIUS, LOW FLOW	N/A	15	S20	B3-4	POP JET, 4 OUTLET, LOW FLOW	8	68.8
S9	B2-1	POP JET, CURVED, 48" RADIUS, LOW FLOW	N/A	15	S21	B3-5	POP JET, 4 OUTLET, LOW FLOW	10	86
S10	B2-2	GIANT CIRCLE TIME LOW FLOW 32 OUTLETS	4	15.3	S22	B3-6	POP JET, 4 OUTLET, LOW FLOW	10	86
S11	B2-3	TREASURE CHEST, OMNI	N/A	15		B3-7 THRU B3-8	NONE	N/A	N/A
S12	B2-4	POP JET, CURVED, 48" RADIUS, LOW FLOW	N/A	15					

MAXIMUM INTENDED FLOW - 674.1 GPM
 AVERAGE SEQUENCED FLOW - 463.7 GPM


**FOR
 REFERENCE
 ONLY**



IMPORTANT NOTICE:
 THIS LAYOUT IS FOR ILLUSTRATIVE PURPOSES ONLY. FINAL LAYOUT PLAN MUST BE
 STAMPED BY CERTIFIED ENGINEER IN ACCORDANCE WITH ALL APPLICABLE LAWS.

©2021 Rain Drop Products, LLC.
 All rights reserved

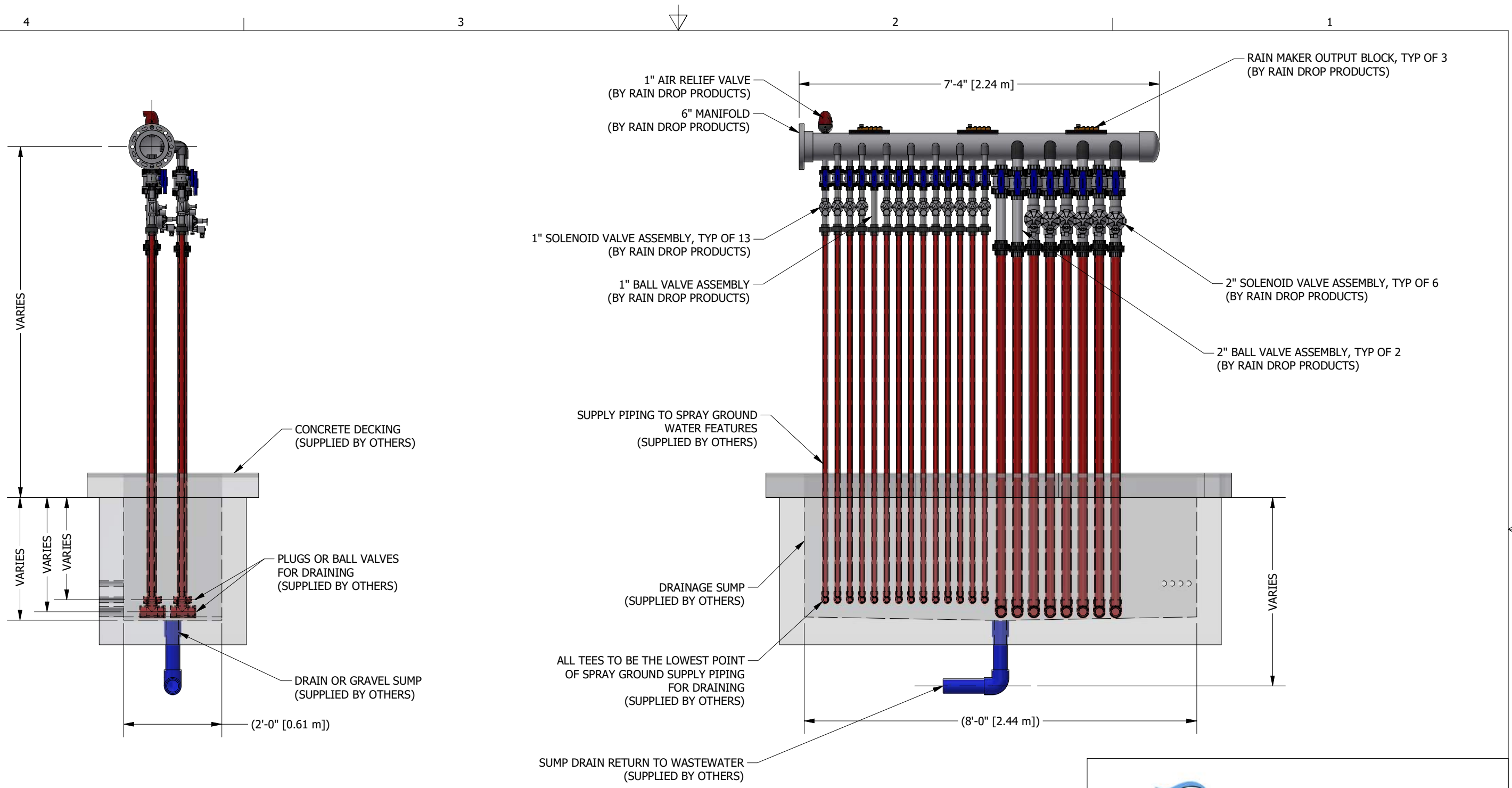
PROPRIETARY AND CONFIDENTIAL
 THE INFORMATION CONTAINED IN THIS
 DRAWING IS THE SOLE PROPERTY OF
 RAIN DROP PRODUCTS, LLC. ANY
 REPRODUCTION IN PART OR AS A WHOLE
 WITHOUT THE WRITTEN PERMISSION OF
 RAIN DROP PRODUCTS, LLC IS PROHIBITED.



2121 COTTAGE ST. ASHLAND, OHIO 44805
 419.207.1229 WWW.RAIN-DROP.COM

RIVERSIDE PARK
 MOUNT VERNON, OH 43050 USA

SIZE	PROJECT #	DWG NO	REV
B	18721	18721-2023-10H-MOUNT VERNON-RIVERSIDE PARK-12	1
DRAWN		8/3/2023	SHEET 8 OF 13
Rajank			



- MANIFOLD NOTES -
- 1 - IT SHALL BE THE CONTRACTOR'S RESPONSIBILITY TO PROPERLY SUPPORT THE WATER SUPPLY MANIFOLD.
 - 2 - ALL PIPING SHALL BE SUPPORTED Laterally AS WELL AS VERTICALLY. USE OF PROPER HANGERS FOR THE CONDITIONS IS ESSENTIAL.
 - 3 - ALL HANGERS, PIPE SUPPORTS, THREADED ROD, HARDWARE, ETC. SHALL BE SUPPLIED BY OTHERS.
 - 4 - DRAWINGS ARE INTENDED FOR SCHEMATIC USE ONLY. FINAL MANIFOLD LOCATION SHALL BE FIELD VERIFIED AND COORDINATED WITH THE CONTRACTOR.

IMPORTANT NOTICE:
 THIS LAYOUT IS FOR ILLUSTRATIVE PURPOSES ONLY. FINAL LAYOUT PLAN MUST BE STAMPED BY CERTIFIED ENGINEER IN ACCORDANCE WITH ALL APPLICABLE LAWS.

**FOR
 REFERENCE
 ONLY**



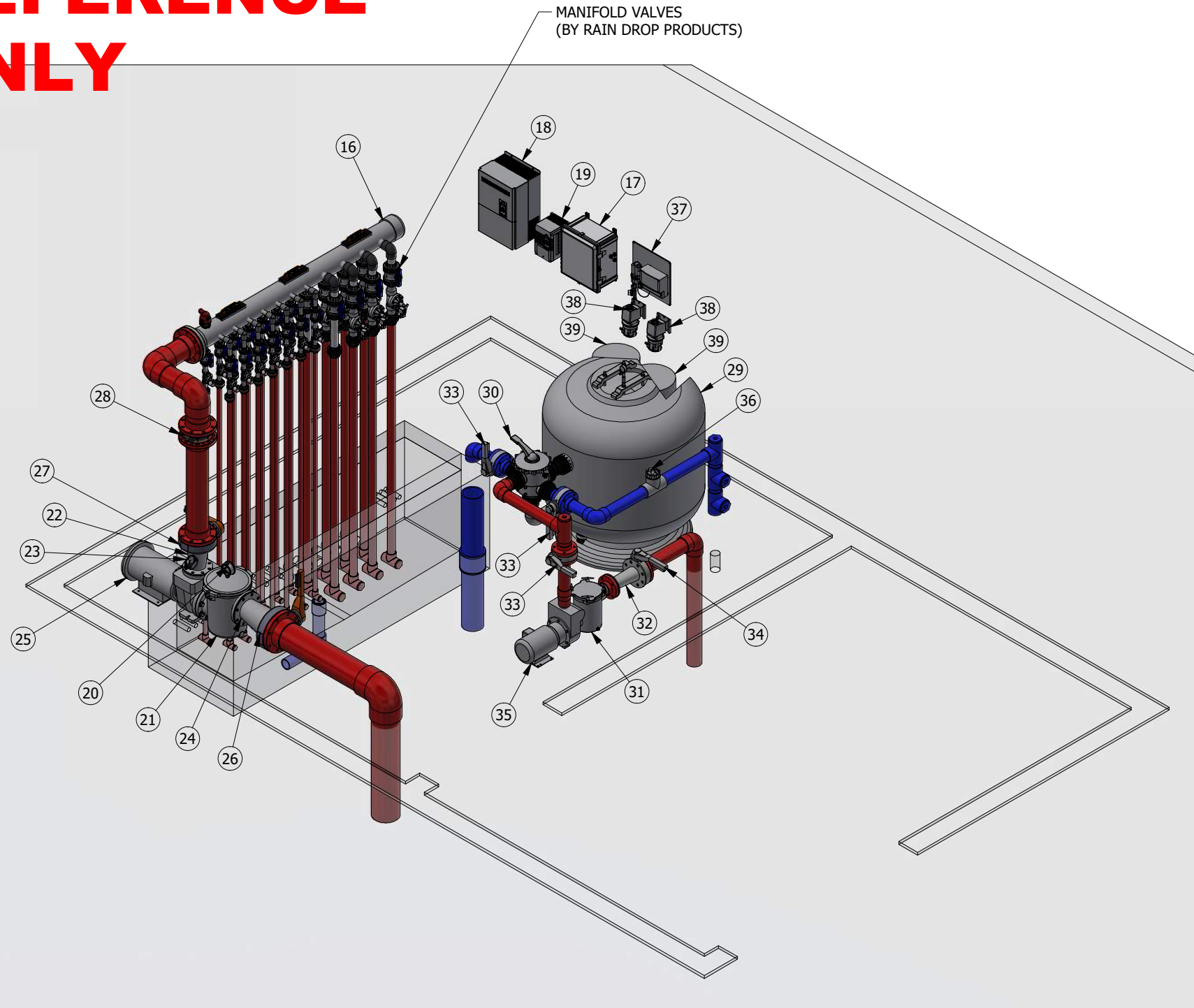
2121 COTTAGE ST. ASHLAND, OHIO 44805
 419.207.1229 WWW.RAIN-DROP.COM

RIVERSIDE PARK
 MOUNT VERNON, OH 43050 USA

SIZE	PROJECT #	DWG NO	REV
B	18721	18721-2023-10H-MOUNT VERNON-RIVERSIDE PARK-12	1
DRAWN			
Rajank		8/3/2023	SHEET 9 OF 13

PROPRIETARY AND CONFIDENTIAL
 THE INFORMATION CONTAINED IN THIS DRAWING IS THE SOLE PROPERTY OF RAIN DROP PRODUCTS, LLC. ANY REPRODUCTION IN PART OR AS A WHOLE WITHOUT THE WRITTEN PERMISSION OF RAIN DROP PRODUCTS, LLC IS PROHIBITED.

FOR REFERENCE ONLY



		PARTS LIST	
ITEM	QTY	PART NUMBER	DESCRIPTION
17	1	RNMK-VFD-024	RAIN MAKER FOR VFD, 24 OUTPUT
18	1	ZPP-VFD-201230	Polyspede Series AC Drive, 20 Hp, 230V 1-Phase Input, 3-Phase Output
19	1	VFD-51230	POLYSPEDE SERIES AC DRIVE, 5 HP, 240V 1-PHASE INPUT, 3-PHASE OUTPUT
20	1	BASN-DVTR-1204-E-SDMT	DIVERTER BASIN, 12" W/SEDIMENT TRAP W/4" STORM
20	1	PMP6-750-PK3-02	GAUGE, PRESSURE, 0-60 PSI
21	1	PMP6-750-PK3-02	STRAINER, PKG 184 FOR CSP SERIES PUMP, STA-RITE
22	1	PMP6-750-PK3-02	CONCENTRIC REDUCER 6" X 4" S.S.
23	1	PMP6-750-PK3-02	GAUGE, PRESSURE/VACUUM COMBINATION, 30-60 PSI
24	1	PMP6-750-PK3-02	ECCENTRIC REDUCER-8X6-SS
25	1	PMP6-750-PK3-02	PUMP, CSP SERIES 20HP-3PH/230 460VAC
26	1	PMP6-750-PK3-02	BUTTERFLY VALVE, 8" LEVER OPERATED, HAYWARD
27	1	PMP6-750-PK3-02	BUTTERFLY VALVE, 6" LEVER OPERATED, HAYWARD
28	1	PMP6-750-PK3-02	CHECK VALVE 6"
29	1	FLT-180PK1S-01	FILTER, 48" MICRON SIDE MOUNT W/3" PORTS
30	1	FLT-180PK1S-01	MP VALVE
31	1	FLT-180PK1S-01	STRAINER, 8" FOR D SERIES PUMP, CAST IRON
32	1	FLT-180PK1S-01	ECCENTRIC REDUCER 4 X 3
33	1	FLT-180PK1S-01	BUTTERFLY VALVE, 3" LEVER OPERATED, HAYWARD
34	3	FLT-180PK1S-01	BUTTERFLY VALVE, 4" LEVER OPERATED, HAYWARD
35	1	FLT-180PK1S-01	PUMP, D SERIES 5HP-1PH/230VAC
36	1	FLT-180PK1S-01	FLOW METER VALVE 3"
37	1	CHL-750PK1L	CHEM CONTROLLER-CAT 2000
38	1	CHL-750PK1L	PUMP, CHEMICAL FEED, STENNER 0-50 GPD 110V/60HZ
39	2	CHL-750PK1L	TANK, 15 GALLON

NOTE:
CHECK VALE MUST BE POSITIONED A MINIMUM OF 7 FEET ABOVE STATIC WATER LEVEL OF THE RESERVOIR TO FUNCTION PROPERLY

NOTE:
ALL PARTS NOT BALLOONED OR LABELED ARE NOT PROVIDED BY RAIN DROP PRODUCTS



2121 COTTAGE ST. ASHLAND, OHIO 44805
419.207.1229 WWW.RAIN-DROP.COM

PROJECT
RIVERSIDE PARK
MOUNT VERNON, OH 43050 USA

PROPRIETARY AND CONFIDENTIAL
THE INFORMATION CONTAINED IN THIS
DRAWING IS THE SOLE PROPERTY OF
RAIN DROP PRODUCTS, LLC. ANY
REPRODUCTION IN PART OR AS A WHOLE
WITHOUT THE WRITTEN PERMISSION OF
RAIN DROP PRODUCTS, LLC IS PROHIBITED.

SIZE B	PROJECT # 18721	DWG NO 18721-2023-10H-MOUNT VERNON-RIVERSIDE PARK-12	REV 1
DRAWN Rajank		8/3/2023	SHEET 10 OF 13

IMPORTANT NOTICE:
THIS LAYOUT IS FOR ILLUSTRATIVE PURPOSES ONLY. FINAL LAYOUT PLAN MUST BE STAMPED BY CERTIFIED ENGINEER IN ACCORDANCE WITH ALL APPLICABLE LAWS.

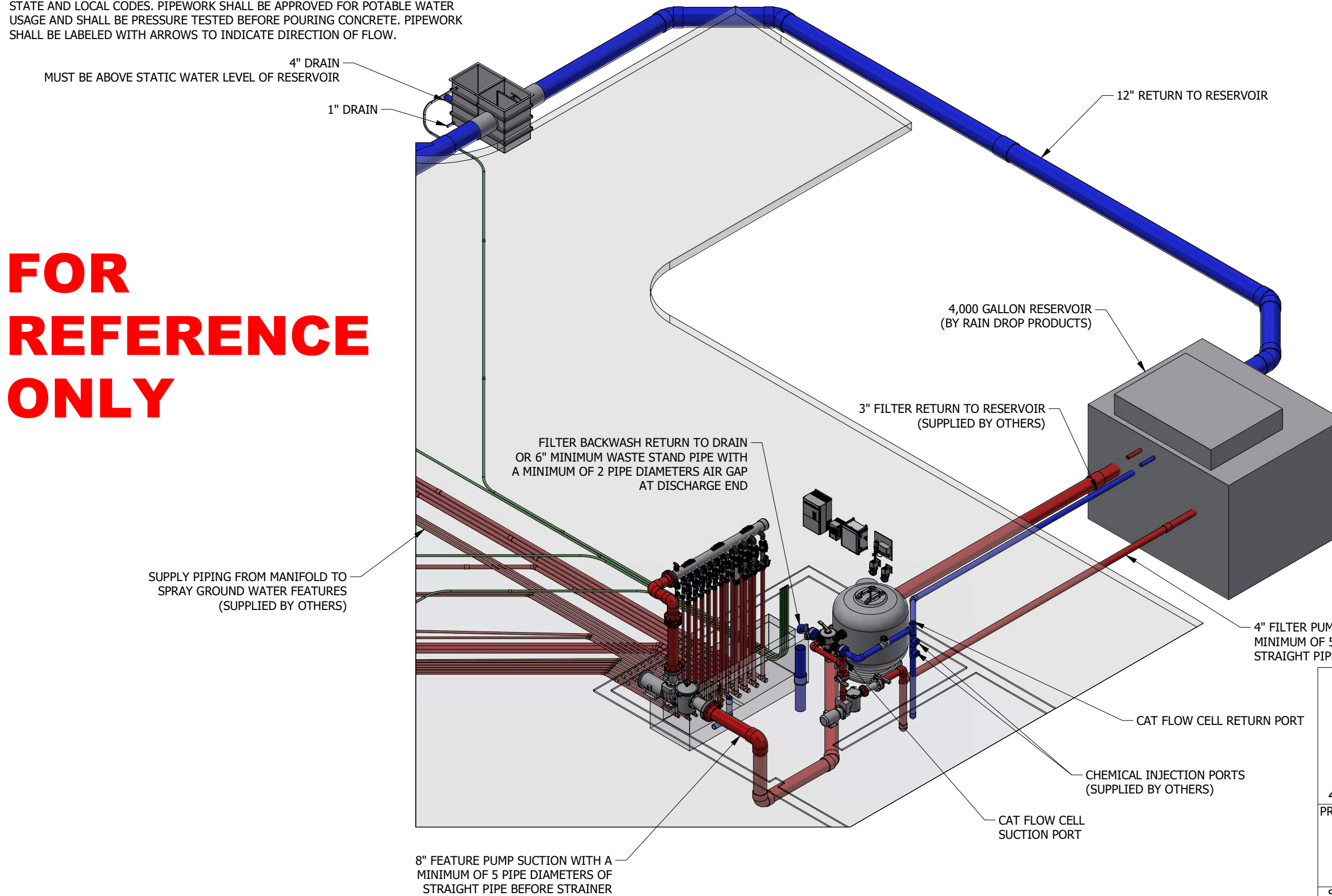
SPRAYGROUND SPECIFICATIONS -
 RESERVOIR CAPACITY IS 4000 GALLONS WITH A TURNOVER RATE OF 21.2 MINUTES.
 FILTRATION FLOW RATE IS 188.4 GPM. WATERPLAY FLOW RATE IS DESIGNED AT A
 MAXIMUM OF 674.1 GPM. FOR DESIGNS THAT INCLUDE SEQUENCING, THE AVERAGE
 SEQUENCE FLOW RATE IS 463.7 GPM. PIPEWORK DESIGN IS BASED ON SCHEDULE 80
 AND SCHEDULE 40 PVC PIPE AND SOCKET TYPE FITTINGS, CONFORMING TO ASTM
 D2467 AND ASTM D1785-12. PIPEWORK SHALL CONFORM TO ALL APPLICABLE
 STATE AND LOCAL CODES. PIPEWORK SHALL BE APPROVED FOR POTABLE WATER
 USAGE AND SHALL BE PRESSURE TESTED BEFORE POURING CONCRETE. PIPEWORK
 SHALL BE LABELED WITH ARROWS TO INDICATE DIRECTION OF FLOW.

RED PIPES = SUPPLY LINES
BLUE PIPES = RETURN LINES
GREEN PIPES = ELECTRICAL CONDUIT

PIPING SPECIFICATIONS -
 DRAIN PIPING SIZED FOR 3 FPS VELOCITY IN GRAVITY SYSTEM.
 PUMP SUCTION LINES SIZED FOR 6 FPS MAXIMUM VELOCITY.
 PUMP DISCHARGE LINES SIZED FOR 10 FPS MAXIMUM VELOCITY.
 PLEASE ADVISE RAIN DROP IF THIS EXCEEDS LOCAL CODES OR
 REGULATIONS FOR YOUR AREA.

FILTRATION SYSTEM -
 RESERVOIR VOLUME - 4000 GALLONS
 FILTER FLOW RATE - 188.4 GPM
 RESERVOIR TURNOVER TIME - 21.2 MINUTES
 FILTER AREA - 12.56 SQ. FT.
 FILTRATION RATE - 15 GPM/SQ.FT.

**FOR
 REFERENCE
 ONLY**



PLEASE NOTE:
 ALL PIPES AND FITTINGS TO BE SUPPLIED BY
 CONTRACTOR UNLESS OTHERWISE NOTED.



2121 COTTAGE ST. ASHLAND, OHIO 44805
 419.207.1229 WWW.RAIN-DROP.COM

PROJECT
RIVERSIDE PARK
 MOUNT VERNON, OH 43050 USA

IMPORTANT NOTICE:
 THIS LAYOUT IS FOR ILLUSTRATIVE PURPOSES ONLY. FINAL LAYOUT PLAN MUST BE
 STAMPED BY CERTIFIED ENGINEER IN ACCORDANCE WITH ALL APPLICABLE LAWS.

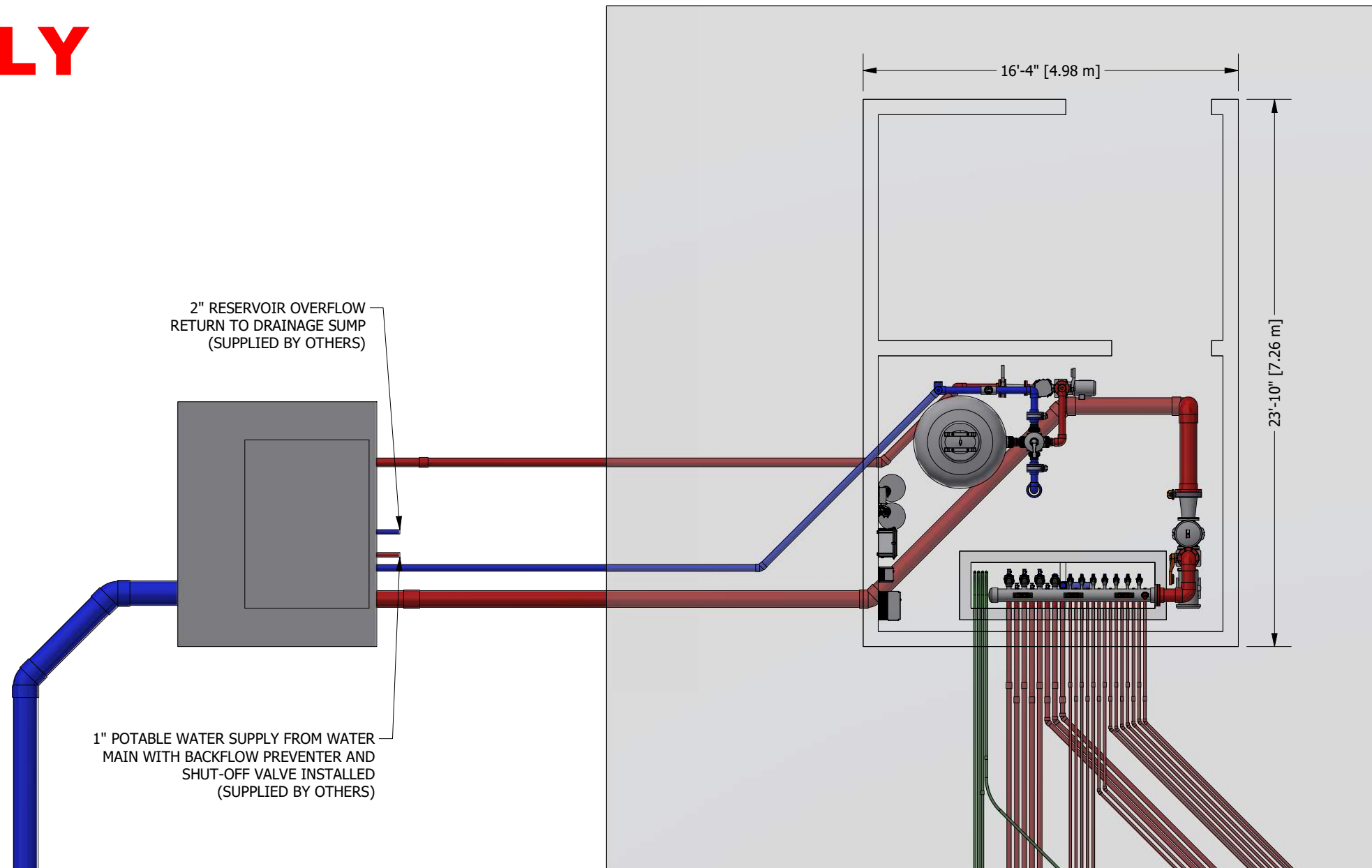
©2021 Rain Drop Products, LLC.
 All rights reserved

PROPRIETARY AND CONFIDENTIAL
 THE INFORMATION CONTAINED IN THIS
 DRAWING IS THE SOLE PROPERTY OF
 RAIN DROP PRODUCTS, LLC. ANY
 REPRODUCTION IN PART OR AS A WHOLE
 WITHOUT THE WRITTEN PERMISSION OF
 RAIN DROP PRODUCTS, LLC IS PROHIBITED.

SIZE B	PROJECT # 18721	DWG NO 18721-2023-10H-MOUNT VERNON-RIVERSIDE PARK-12	REV 1
DRAWN Rajank		8/3/2023	SHEET 11 OF 13

FOR REFERENCE ONLY

RED PIPES = SUPPLY LINES
 BLUE PIPES = RETURN LINES
 GREEN PIPES = ELECTRICAL CONDUIT



- MECHANICAL ROOM -
- 1 - MECHANICAL ROOM SIZE AND LAYOUT IS FOR REFERENCE ONLY AND MAY BE ALTERED TO ACCOMMODATE EXISTING FIELD CONDITIONS.
 - 2 - PIPE AND EQUIPMENT PLACEMENT MAY BE MODIFIED ACCORDINGLY.
 - 3 - PIPE AND OTHER MATERIAL SHOWN MAY BE SUBSTITUTED WITH PRIOR APPROVAL OF THE PROJECT DESIGNER.
 - 4 - PVC PIPE SHALL BE SCHEDULE 80 PVC AND SOCKET TYPE FITTINGS SHALL CONFORM TO ASTM D2467, AND ASTM D1785-12, AND ALL APPLICABLE STATE AND LOCAL CODES.
 - 5 - ALL PIPING SHALL BE STAMPED WITH N.S.F. SEAL OF APPROVAL FOR POTABLE WATER.
 - 6 - IT IS THE CONTRACTOR'S RESPONSIBILITY TO PROPERLY SUPPORT PIPING AT ALL VALVES, PUMPS, EQUIPMENT, OVERHEAD AREAS, ETC.
 - 7 - ALL PIPING SHALL BE SUPPORTED Laterally AS WELL AS VERTICALLY. USE OF PROPER HANGERS FOR THE CONDITIONS IS ESSENTIAL.
 - 8 - ALL HANGERS, PIPE SUPPORTS, THREADED ROD, HARDWARE, ETC. SHALL BE SUPPLIED BY OTHERS.
 - 9 - PIPING SHALL BE DESIGNED TO CARRY THE REQUIRED QUANTITIES OF WATER AT VELOCITIES NOT TO EXCEED LOCAL CODE REQUIREMENTS.
 - 10 - DRAWINGS ARE INTENDED FOR SCHEMATIC USE ONLY. FINAL LOCATION OF EQUIPMENT ROOM AND THE PLACEMENT OF EQUIPMENT AND PIPE SHALL BE FIELD VERIFIED AND COORDINATED WITH CONTRACTOR.



2121 COTTAGE ST. ASHLAND, OHIO 44805
 419.207.1229 WWW.RAIN-DROP.COM

PROJECT
RIVERSIDE PARK
 MOUNT VERNON, OH 43050 USA

PROPRIETARY AND CONFIDENTIAL
 THE INFORMATION CONTAINED IN THIS DRAWING IS THE SOLE PROPERTY OF RAIN DROP PRODUCTS, LLC. ANY REPRODUCTION IN PART OR AS A WHOLE WITHOUT THE WRITTEN PERMISSION OF RAIN DROP PRODUCTS, LLC IS PROHIBITED.

SIZE	PROJECT #	DWG NO	REV
B	18721	18721-2023-10H-MOUNT VERNON-RIVERSIDE PARK-12	1
DRAWN	8/3/2023	SHEET 12 OF 13	
Rajank			

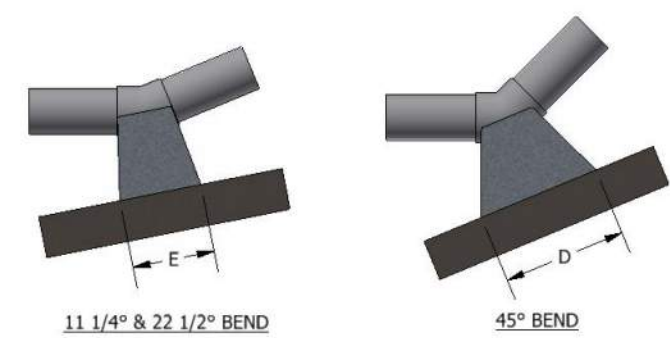
IMPORTANT NOTICE:
 THIS LAYOUT IS FOR ILLUSTRATIVE PURPOSES ONLY. FINAL LAYOUT PLAN MUST BE STAMPED BY CERTIFIED ENGINEER IN ACCORDANCE WITH ALL APPLICABLE LAWS.

4

3

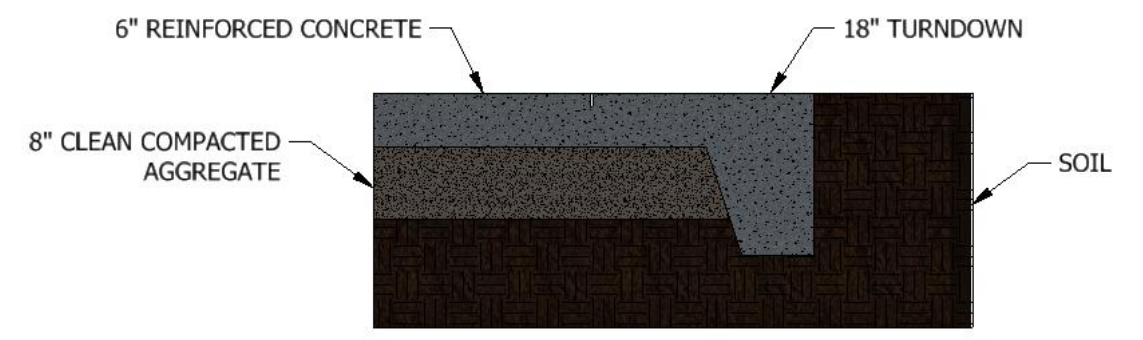
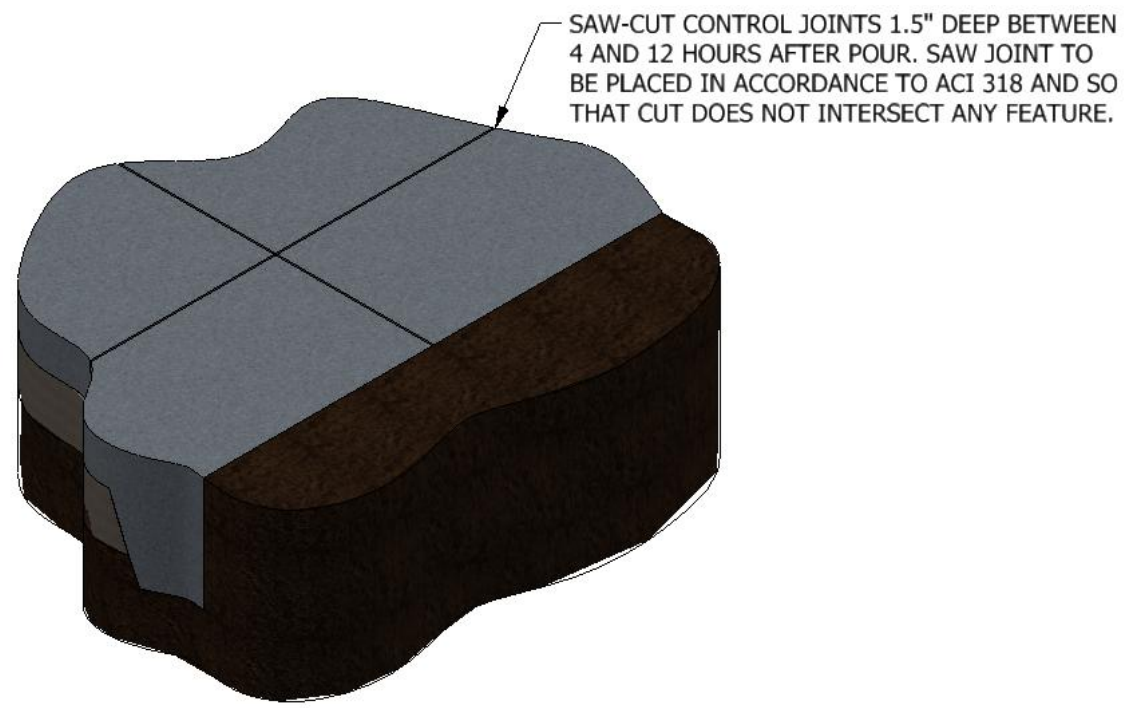
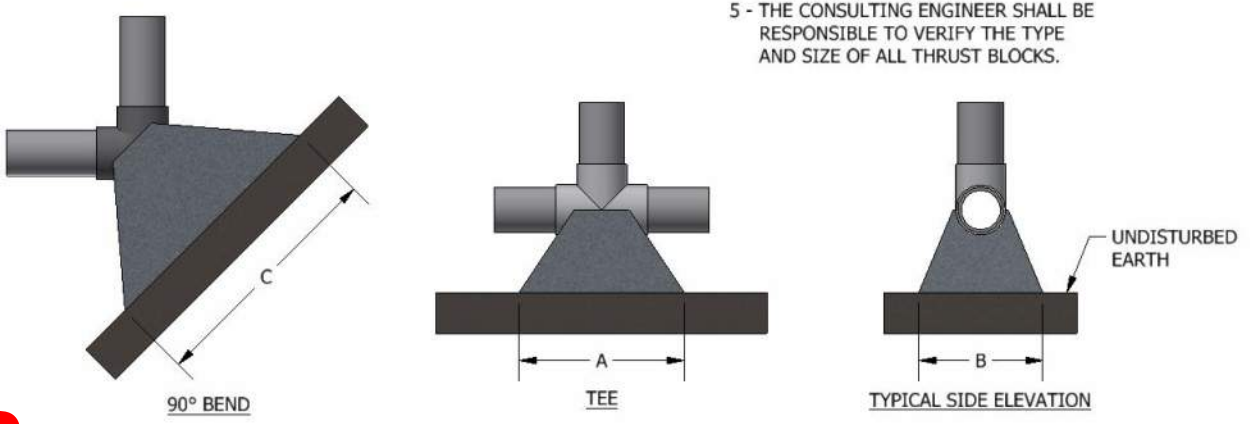
2

1



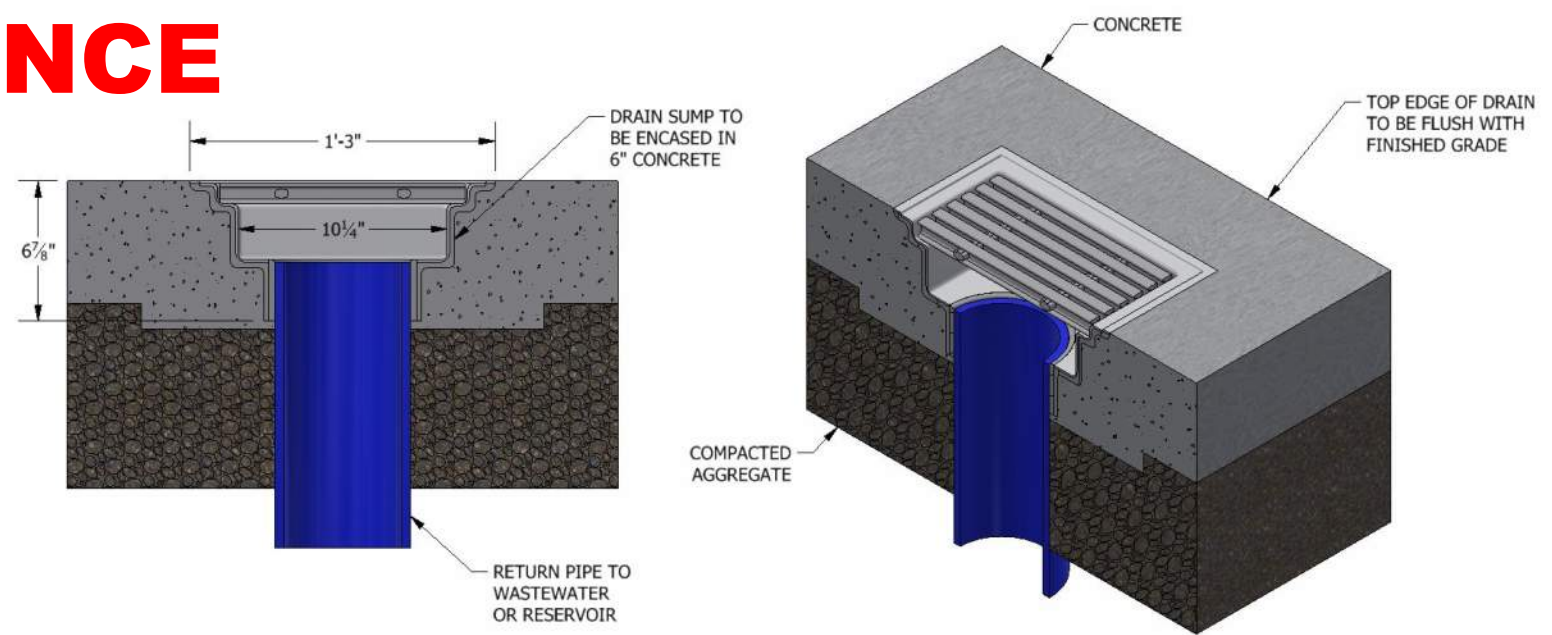
PIPE SIZE	A	B	C	D	E
4"	1'-6"	1'-0"	2'-6"	1'-0"	1'-0"
6"	2'-0"	1'-6"	3'-0"	1'-6"	1'-0"
8"	2'-6"	2'-0"	3'-6"	2'-0"	1'-0"
10"	3'-6"	2'-6"	4'-6"	2'-6"	1'-6"
12"	4'-0"	3'-0"	5'-6"	3'-0"	1'-6"

- THRUST BLOCK NOTES:**
- 1 - CONCRETE TO BE 3500 PSI.
 - 2 - ALL FITTINGS TO BE GLUE JOINTS.
 - 3 - THRUST BLOCK TO BE PLACED AGAINST UNDISTURBED EARTH. USE ADDITIONAL CONCRETE OF OVER-EXCAVATION.
 - 4 - NO CONCRETE SHALL BE POURED ON ANY PART OF THE JOINT.
 - 5 - THE CONSULTING ENGINEER SHALL BE RESPONSIBLE TO VERIFY THE TYPE AND SIZE OF ALL THRUST BLOCKS.



CONCRETE DETAIL
NOT TO SCALE

FOR REFERENCE ONLY



12" DRAIN DETAIL
NOT TO SCALE

IMPORTANT NOTICE:
THIS LAYOUT IS FOR ILLUSTRATIVE PURPOSES ONLY. FINAL LAYOUT PLAN MUST BE STAMPED BY CERTIFIED ENGINEER IN ACCORDANCE WITH ALL APPLICABLE LAWS.

©2021 Rain Drop Products, LLC.
All rights reserved



2121 COTTAGE ST. ASHLAND, OHIO 44805
419.207.1229 WWW.RAIN-DROP.COM

RIVERSIDE PARK
MOUNT VERNON, OH 43050 USA

PROPRIETARY AND CONFIDENTIAL
THE INFORMATION CONTAINED IN THIS DRAWING IS THE SOLE PROPERTY OF RAIN DROP PRODUCTS, LLC. ANY REPRODUCTION IN PART OR AS A WHOLE WITHOUT THE WRITTEN PERMISSION OF RAIN DROP PRODUCTS, LLC IS PROHIBITED.

SIZE B	PROJECT # 18721	DWG NO 18721-2023-10H-MOUNT VERNON-RIVERSIDE PARK-12	REV 1
DRAWN Rajank		8/3/2023	SHEET 13 OF 13